

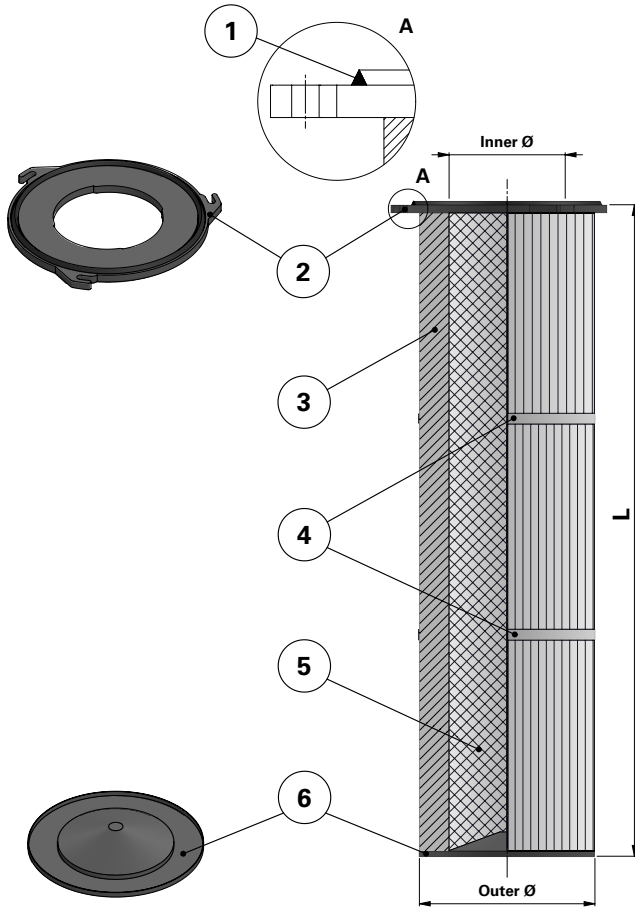


Donaldson  
FILTRATION SOLUTIONS

## DATA SHEET

### Replacement Elements

Cartridges – Series 125 Quick Fix 3 Hook



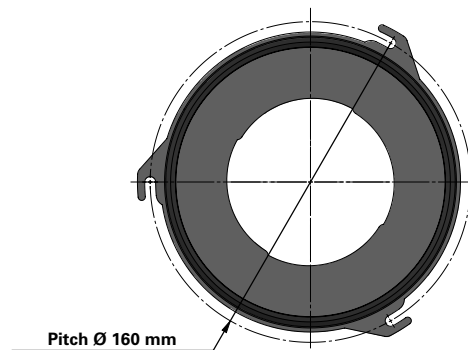
### Series 125 Quick Fix 3 Hook

Cartridge Filter with open top end cap with 3 hooks, 160 mm pitch diameter and closed bottom end cap

Special feature: Dirty Air Plenum installation for Quick Fix and other brands of cartridge collectors

Without outer liner

### Top end cap quick fix



Item	Description
1	Gasket above top end cap
2	Top end cap quick fix
3	Media pack
4	Straps
5	Inner liner
6	Bottom end cap closed

### Dimensions [mm]

Outer Ø	125
Inner Ø	84
L	615 1215 2015
Pitch Ø	160